



# INTD 276 Bathroom Final Project

MONICA ENG

5/24/2021



# Design Statement

## DOSHI/O'BRIEN FAMILY BATHROOM

The Doshi/O'Brien family is a couple living in upstate New York with their four-year-old daughter. The design of their library to bathroom conversion includes:

- Luxurious, warm, and inviting design with Indian-inspired visual elements
  - Indian-inspired tile pattern, colors, and pendant lighting
  - Floral patterned jaali perforated screen over clerestory window
- Bohemian and rustic style - earthy tones and natural wood with a pop of timeless color and patterns
- Functional and serene elements
- Sustainable elements
- Water softener to treat well water
- Large operable window to enjoy outdoors during warm weather
- Accessible bathroom features
  - Curbless, walk-in shower with a built-in seat
  - In-shower storage for toiletries
  - Ample storage space for everyday products
  - Grab bars in shower and toilet areas



# Concept Board



Clerestory windows



Perforated pendant light



Concrete



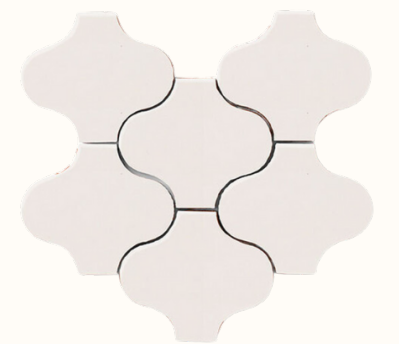
Wood accents



Warm colored tile



Jaali patterned lattice screen

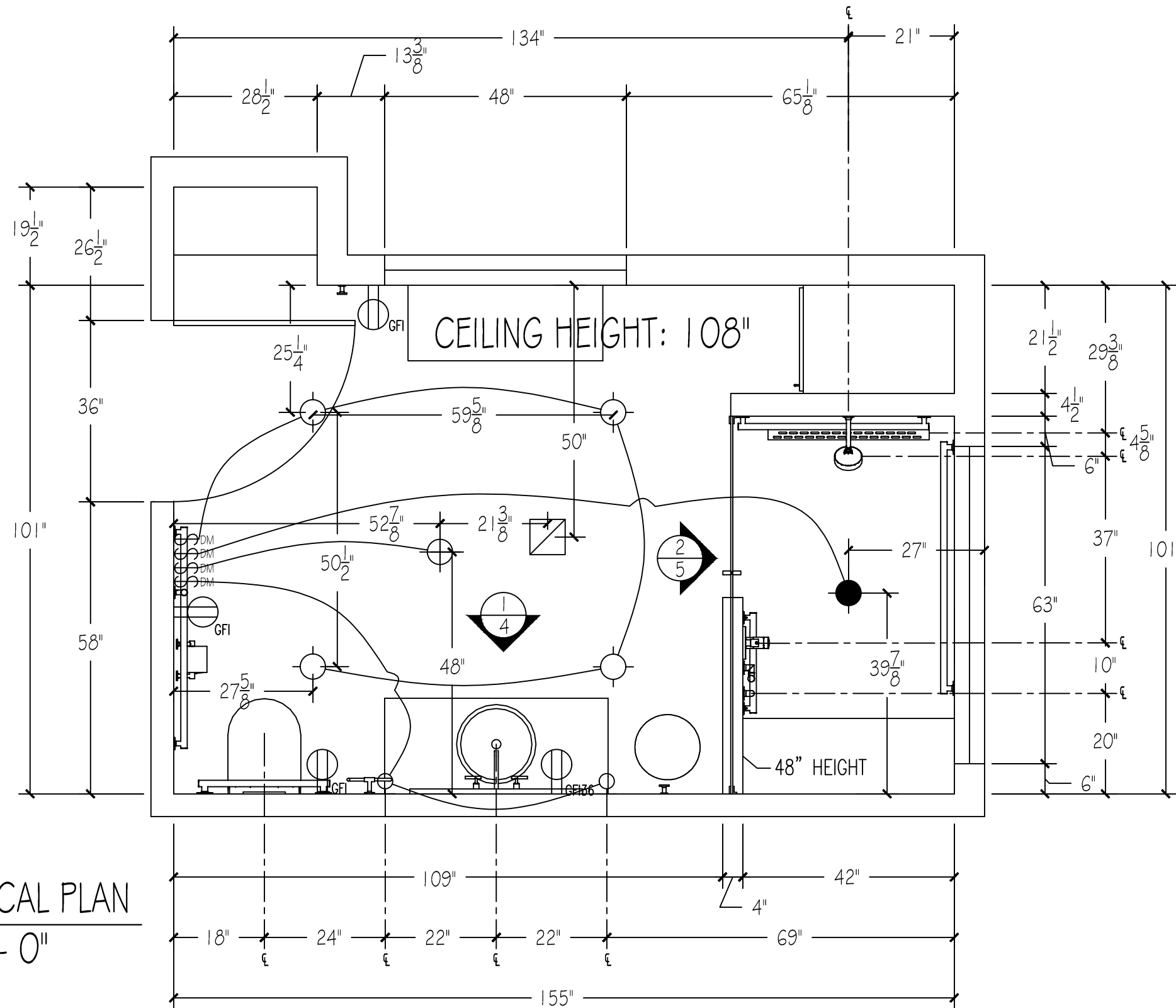


Selected Materials









③ MECHANICAL PLAN  
1/2" = 1' - 0"

ALL DIMENSIONS AND SIZE DESIGNATIONS GIVEN ARE SUBJECT TO VERIFICATION ON JOB SITE AND ADJUSTMENT TO FIT JOB CONDITIONS.



DESIGN PLANS ARE PROVIDED FOR THE FAIR USE BY THE CLIENT OR HIS AGENT IN COMPLETING THE PROJECT AS LISTED WITHIN THIS CONTRACT. DESIGN PLANS REMAIN THE PROPERTY OF THIS FIRM AND CAN NOT BE USED OR REUSED WITHOUT PERMISSION.

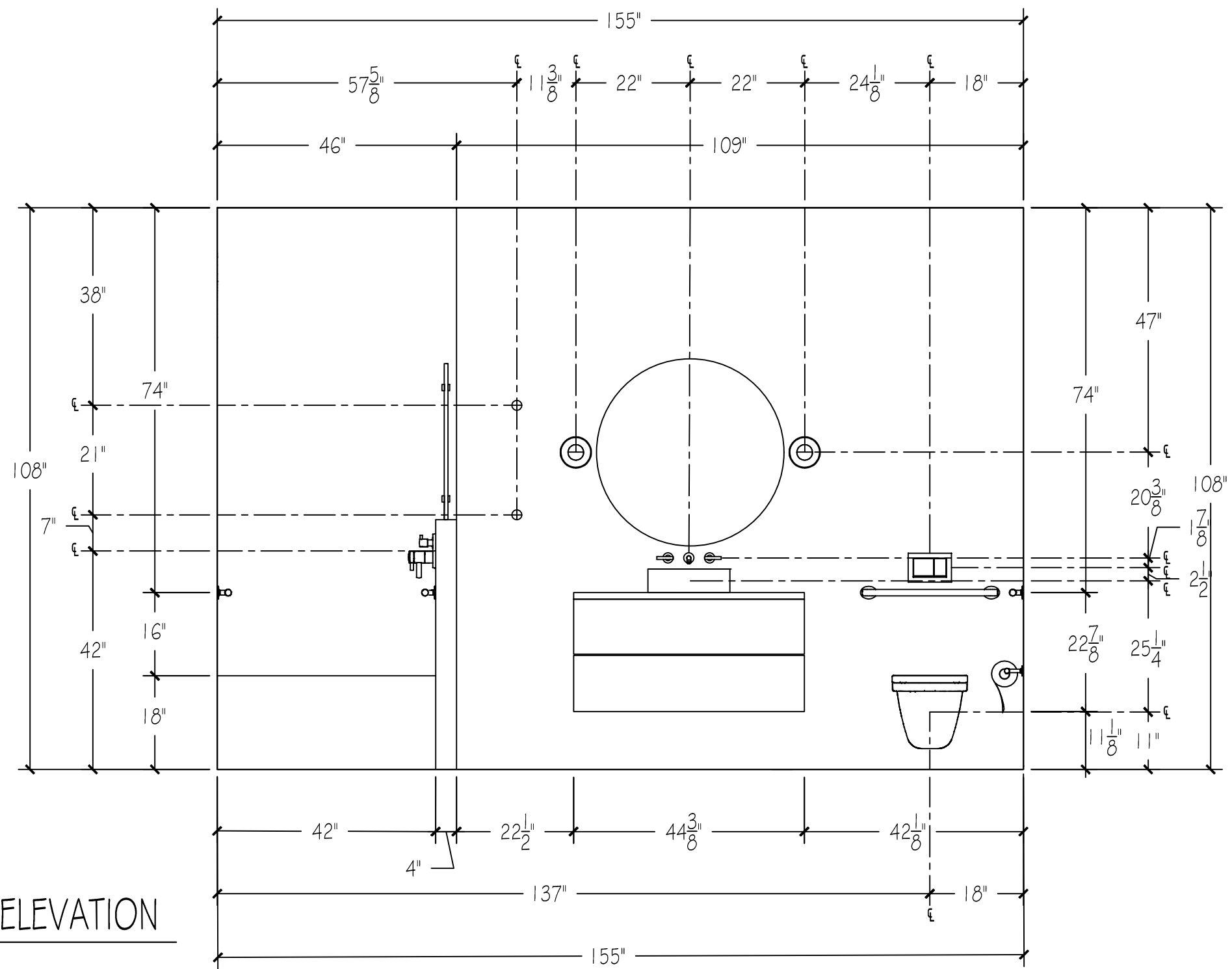
DESIGNED FOR:  
DOSHI/O'BRIEN FAMILY

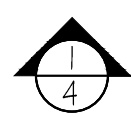
BY:  
MONICA ENG

	DATE	BY
DWN		
REV		

SCALE  
1/2" = 1'-0"

DWG NO.  
3




**SOUTH WALL ELEVATION**  
 1/2" = 1' - 0"

ALL DIMENSIONS AND SIZE DESIGNATIONS GIVEN ARE SUBJECT TO VERIFICATION ON JOB SITE AND ADJUSTMENT TO FIT JOB CONDITIONS.



DESIGN PLANS ARE PROVIDED FOR THE FAIR USE BY THE CLIENT OR HIS AGENT IN COMPLETING THE PROJECT AS LISTED WITHIN THIS CONTRACT. DESIGN PLANS REMAIN THE PROPERTY OF THIS FIRM AND CAN NOT BE USED OR REUSED WITHOUT PERMISSION.

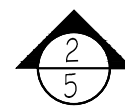
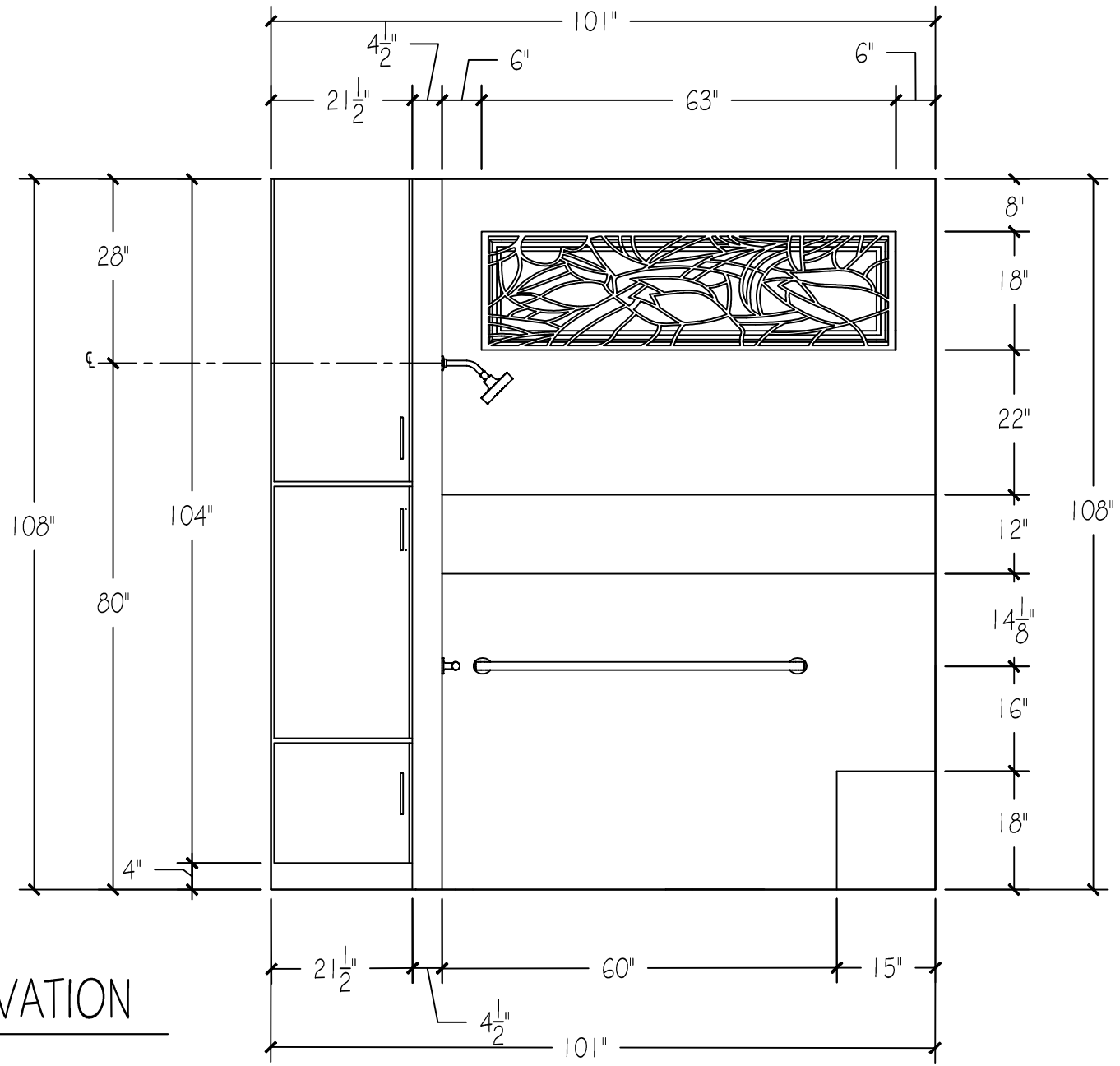
DESIGNED FOR:  
DOSHI/O'BRIEN FAMILY

BY:  
MONICA ENG

	DATE	BY
DWN		
REV		

SCALE  
1/2" = 1'-0"

DWG NO.  
4



EAST WALL ELEVATION  
 1/2" = 1' - 0"

ALL DIMENSIONS AND SIZE DESIGNATIONS GIVEN ARE SUBJECT TO VERIFICATION ON JOB SITE AND ADJUSTMENT TO FIT JOB CONDITIONS.



DESIGN PLANS ARE PROVIDED FOR THE FAIR USE BY THE CLIENT OR HIS AGENT IN COMPLETING THE PROJECT AS LISTED WITHIN THIS CONTRACT. DESIGN PLANS REMAIN THE PROPERTY OF THIS FIRM AND CAN NOT BE USED OR REUSED WITHOUT PERMISSION.

DESIGNED FOR:  
 DOSHI/O'BRIEN FAMILY

BY:  
 MONICA ENG

	DATE	BY
DWN		
REV		

SCALE  
 1/2" = 1'-0"

DWG NO.  
 5



The page features several decorative brown shapes: a large semi-circle in the top-left corner, a horizontal bar with a circular end in the top-right corner, and a partial oval in the bottom-left corner. The word "Renderings" is centered in a brown serif font.

# Renderings







